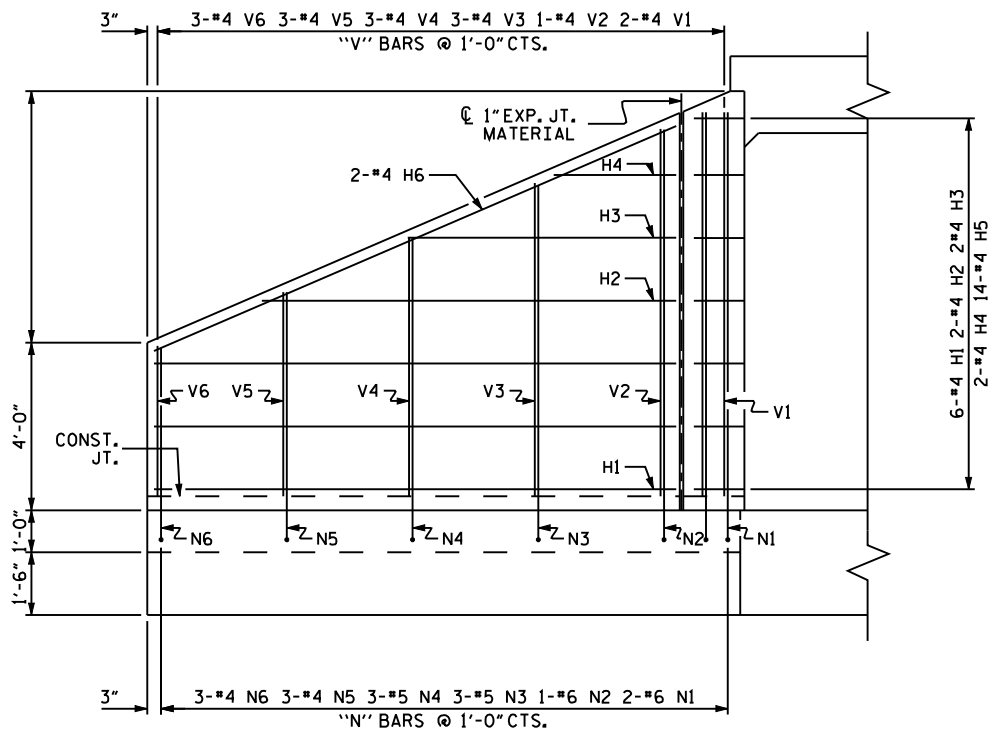
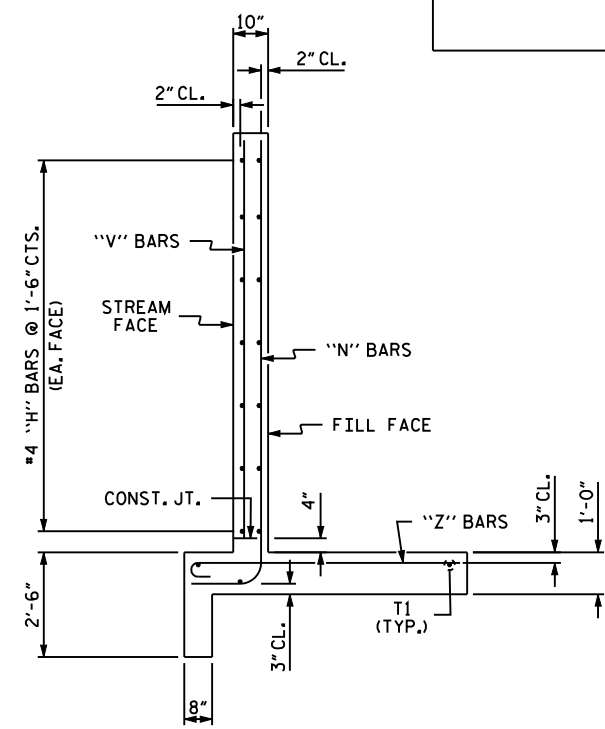


PLAN



ELEVATION



TYPICAL WING SECTION

\*\*\*\*\*SYTIME\*\*\*\*\*  
\*\*\*\*\*USER\*\*\*\*\*

BAR TYPES

ALL BAR DIMENSIONS ARE OUT TO OUT.

BAR NO.	SIZE	TYPE	LENGTH	WEIGHT	
H1	24	#4 STR	12'-5"	199	
H2	8	#4 STR	9'-10"	53	
H3	8	#4 STR	6'-5"	34	
H4	8	#4 STR	2'-11"	16	
H5	56	#4	3'-3"	122	
H6	8	#4 STR	13'-6"	72	
N1	8	#6	2	11'-2"	134
N2	4	#6	2	10'-10"	65
N3	12	#5	2	9'-6"	119
N4	12	#5	2	8'-3"	103
N5	12	#4	2	6'-11"	55
N6	12	#4	2	5'-7"	45
S1	12	#6 STR	6'-0"	108	
T1	12	#5 STR	14'-3"	178	
V1	8	#4 STR	9'-2"	49	
V2	4	#4 STR	8'-9"	23	
V3	12	#4 STR	7'-5"	59	
V4	12	#4 STR	6'-2"	49	
V5	12	#4 STR	4'-10"	39	
V6	12	#4 STR	3'-7"	29	
Z1	12	#5	3	6'-6"	81
Z2	12	#5	3	5'-9"	72
Z3	12	#4	3	4'-11"	39
Z4	12	#4	3	4'-1"	33
Z5	12	#4	3	3'-4"	27

REINFORCING STEEL FOR 4 WINGS 1803 LBS

CLASS A CONCRETE 26.2 CY  
4 WINGS  
2 HEADWALLS  
2 END CURTAIN WALLS  
TOTAL CY

PROJECT NO. \_\_\_\_\_  
\_\_\_\_\_ COUNTY  
STATION: \_\_\_\_\_

STATE OF NORTH CAROLINA  
DEPARTMENT OF TRANSPORTATION  
RALEIGH  
STANDARD WINGS  
FOR  
CONCRETE BOX CULVERT  
H = 9'-0" SLOPE = 2:1  
90° SKEW

ASSEMBLED BY : \_\_\_\_\_ DATE : \_\_\_\_\_  
CHECKED BY : \_\_\_\_\_ DATE : \_\_\_\_\_  
DRAWN BY : CCJ 10/99  
CHECKED BY : RWW 03/00

REVISIONS						SHEET NO.
NO.	BY:	DATE:	NO.	BY:	DATE:	TOTAL SHEETS
1			3			
2			4			

STD. NO. CW9009